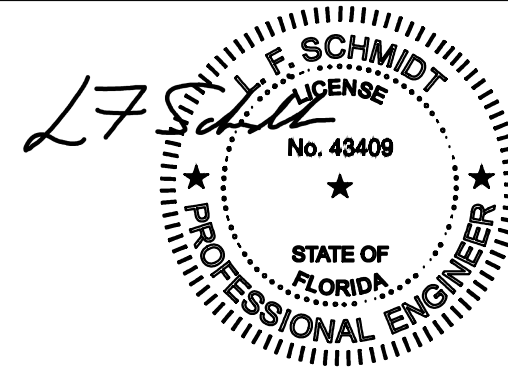




215 EAST ROOSEVELT AVE.
ZEELAND, MI 49464



This item has been digitally signed and sealed by L. F. Schmidt, P.E. on the date adjacent to the seal. Printed copies of this document are not considered signed and sealed and the signature must be verified on any electronic copies.

THIS PRODUCT APPROVAL IS VALID ONLY FOR THE STATE OF FLORIDA

Documents Prepared By:
Lyndon F. Schmidt
P.E. No. 43409

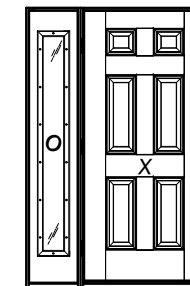
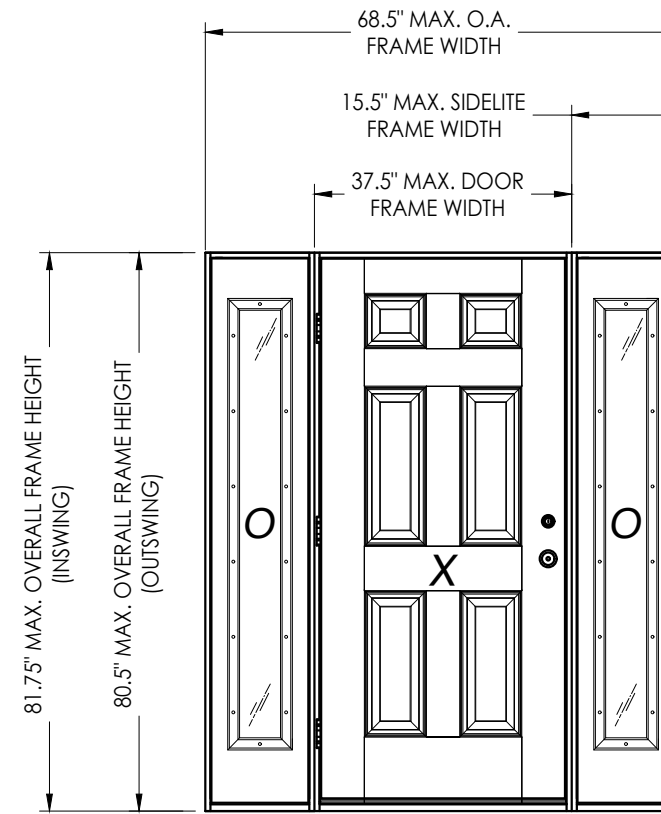
RW BUILDING CONSULTANTS, INC.
P.O. Box 230, Vairico, FL 33595
Phone No.: 813.659.9197
FBPE Registry No. 9813

OPAQUE FIBERGLASS DOOR SINGLE w/ SIDELITE(S)

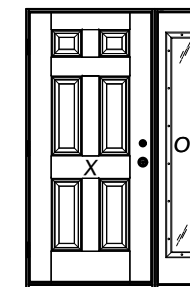
INSWING/OUTSWING "IMPACT"

GENERAL NOTES

- This product has been evaluated and is in compliance with the 8th Edition (2023) Florida Building Code (FBC) structural requirements excluding the "High Velocity Hurricane Zone" (HVHZ).
- Product anchors shall be as listed and spaced as shown on details. Anchor embedment to base material shall be beyond wall dressing or stucco.
- When used in areas requiring wind borne debris protection, this product complies with FBC Sections 1609.1.2 & R301.2.1.2 and does not require an impact resistant covering. This product meets missile level "D" and excludes Wind Zone 4 as defined in ASTM E 1996 and FBC Sections 1609.1.2.2 & R301.2.1.2.1.
- For 2x stud framing construction, anchoring of these units shall be the same as that shown for 2x buck masonry construction.
- Site conditions that deviate from the details of this drawing require further engineering analysis by a licensed engineer or registered architect.



OX, XO



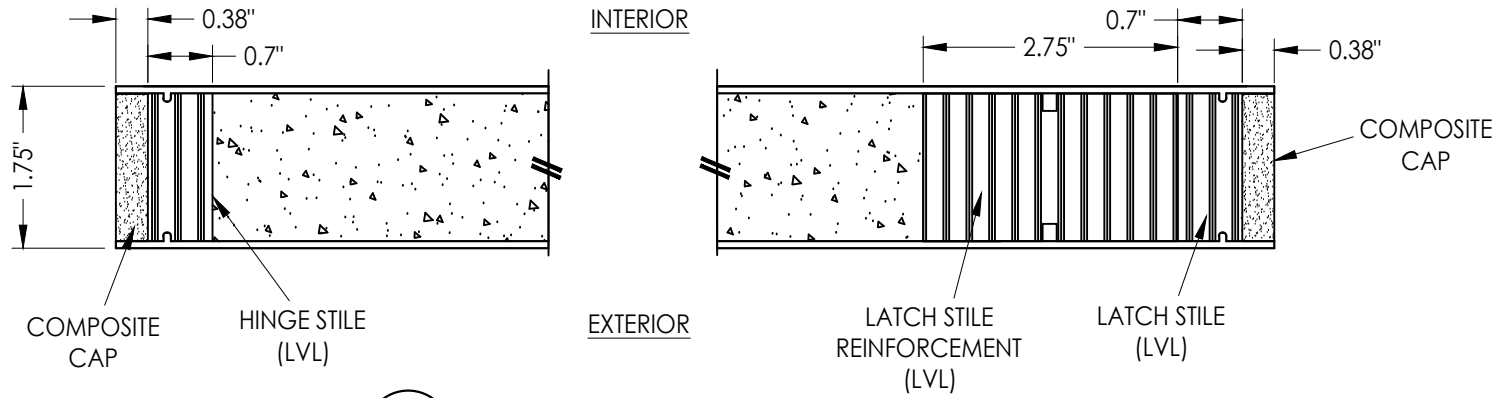
XO, OX

OXO

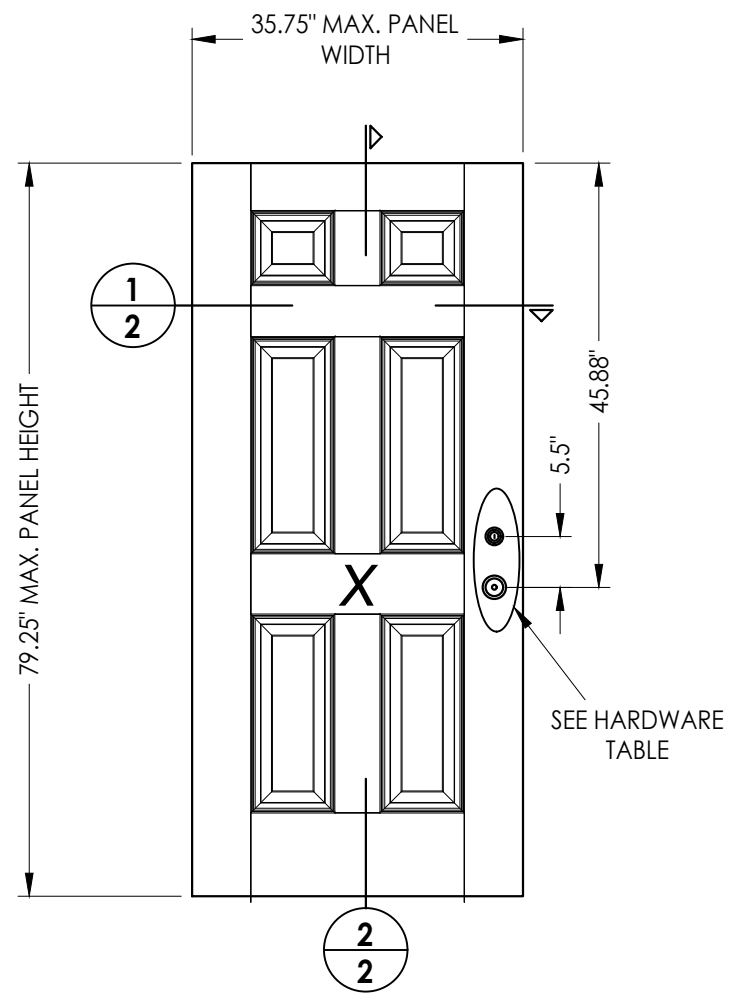
TABLE OF CONTENTS			
SHEET #	DESCRIPTION	SHEET #	
1	Typical Elevations, Design Pressures & General Notes	7	Horizontal & Vertical Cross Sections (1X Buck)
2	Door & Sidelite Panel Details	8	Horizontal & Vertical Cross Sections (Direct to Masonry)
3	Lite Frame Glazing Details	9	Vertical Cross Sections (Thresholds)
4	Elevations	10	Buck Anchoring
5	Horizontal Cross Sections	11	Frame Anchoring & Hardware Details
6	Horizontal & Vertical Cross Sections (2X Buck)	12	Bill of Materials & Components

CONFIGURATION	MAX. FRAME DIMENSION	DESIGN PRESSURE (PSF) INSWING		DESIGN PRESSURE (PSF) OUTSWING	
		POSITIVE	NEGATIVE	POSITIVE	NEGATIVE
OX, XO	53.0" x 81.75"	+50.0	-50.0	+50.0	-50.0
OXO	68.5" x 81.75"	+50.0	-50.0	+50.0	-50.0

PRODUCT:	ODL FIBERGLASS DOOR	
PART OR ASSEMBLY:	TYPICAL ELEVATION, DESIGN PRESSURES & GENERAL NOTES	
NO.	DATE	BY
		REVISIONS
DATE: 2/15/24		
SCALE: N.T.S.		
DWG. BY: LFS		
CHK. BY: RW		
DRAWING NO.: FL-46116.7		
SHEET 1 OF 12		

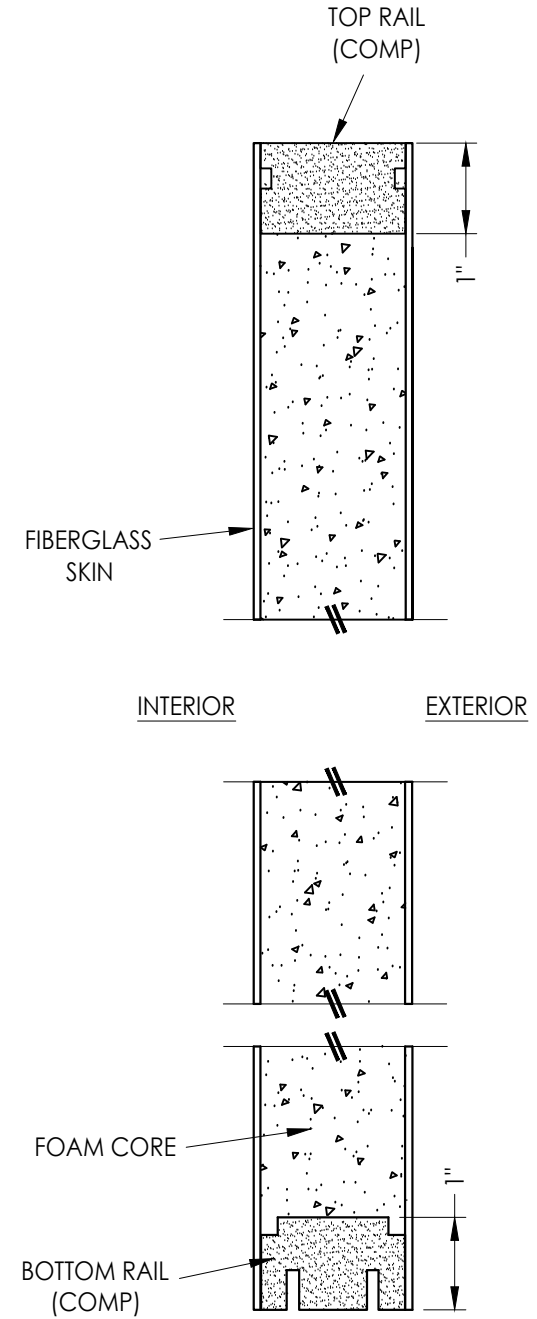


1
2 HORIZONTAL CROSS SECTION



40 FIBERGLASS DOOR PANEL
ODL

HARDWARE CHART	
MANUFACTURER	MODEL
KWIKSET	KNOB: SIGNATURE SERIES
	DEADBOLT: SIGNATURE SERIES (980)
SCHLAGE	KNOB: F SERIES
	DEADBOLT: B60 SERIES



2
2 VERTICAL CROSS SECTION

Documents Prepared By:
Lyndon F. Schmidt
P.E. No. 43409

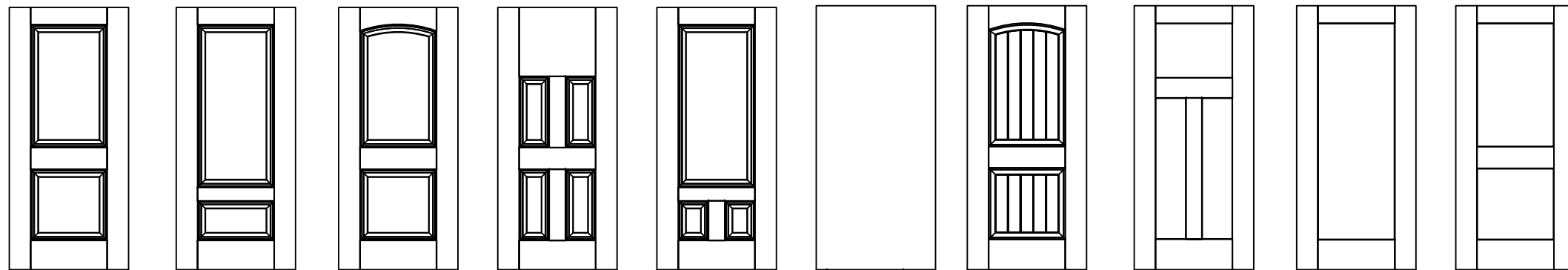
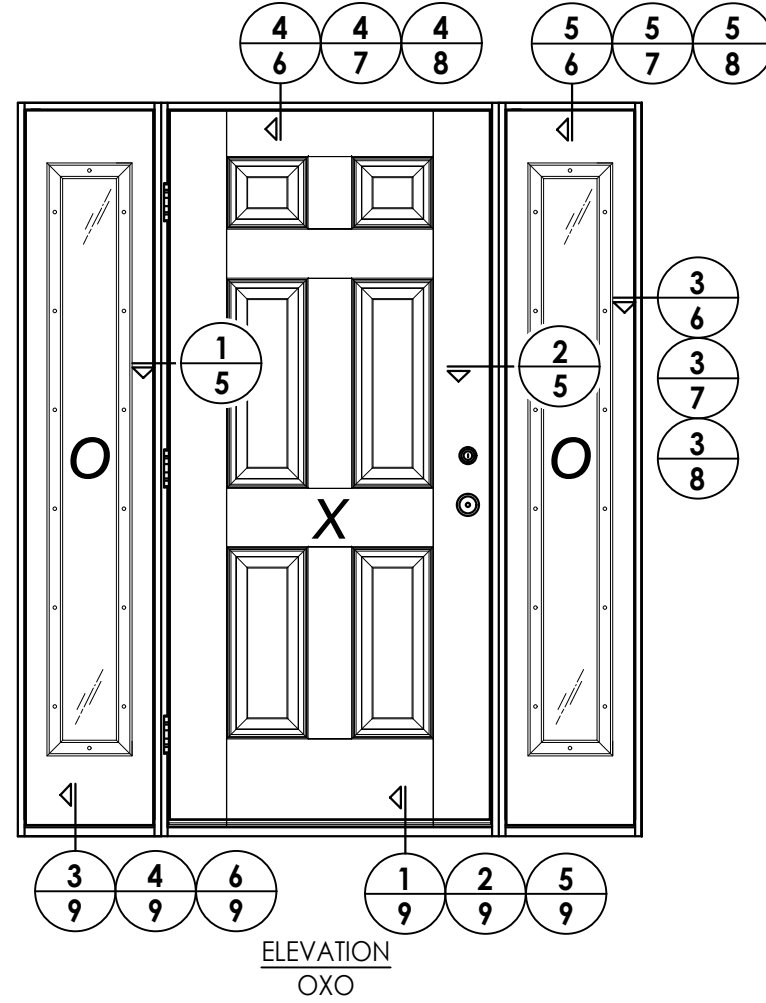
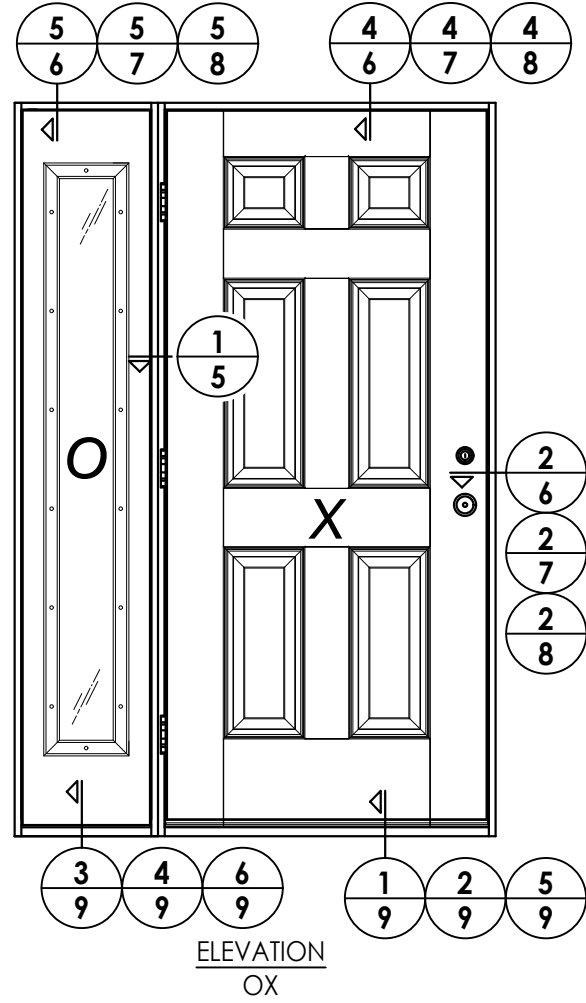
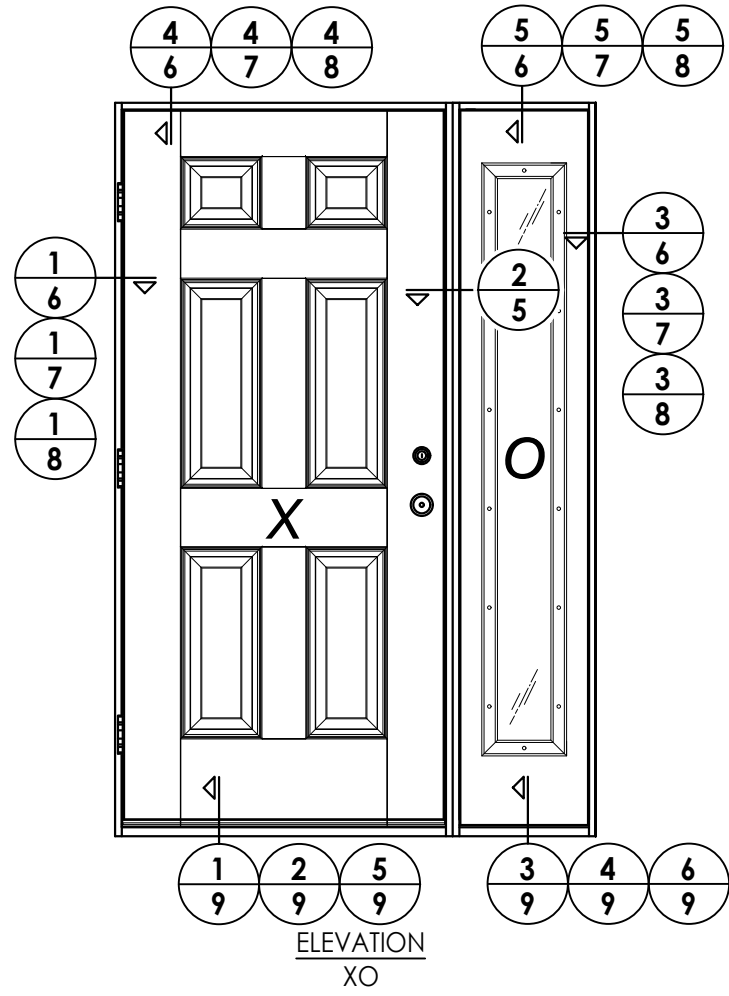
RW BUILDING CONSULTANTS, INC.
P.O. Box 230, Valrico, FL 33595
Phone No.: 813.659.9197
FBPE Registry No. 9813

PRODUCT: ODL
FIBERGLASS DOOR

PART OR ASSEMBLY:
DOOR & SIDELITE
PANEL DETAILS

NO.	DATE	BY

DATE: 2/15/24
SCALE: N.T.S.
DWG. BY: LFS
CHK. BY: RW
DRAWING NO.:
FL-46116.7
SHEET 2 OF 12



ALTERNATE DOOR PANELS

Documents Prepared By:
Lyndon F. Schmidt
P.E. No. 43409

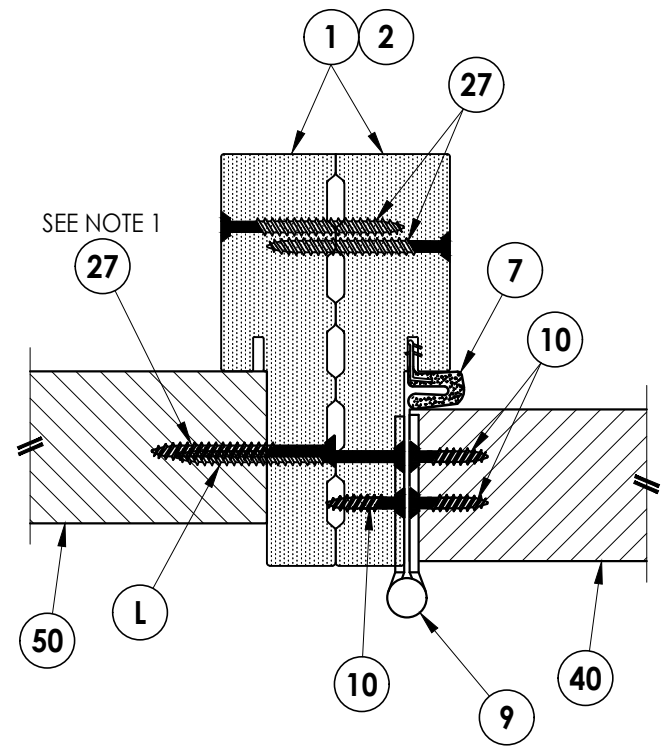
RW BUILDING CONSULTANTS, INC.
P.O. Box 230, Valrico, FL 33595
Phone No.: 813.659.9197
FBPE Registry No. 9813

PRODUCT: OD
FIBERGLASS DOOR

PART OR ASSEMBLY:
ELEVATIONS

NO.	DATE	BY

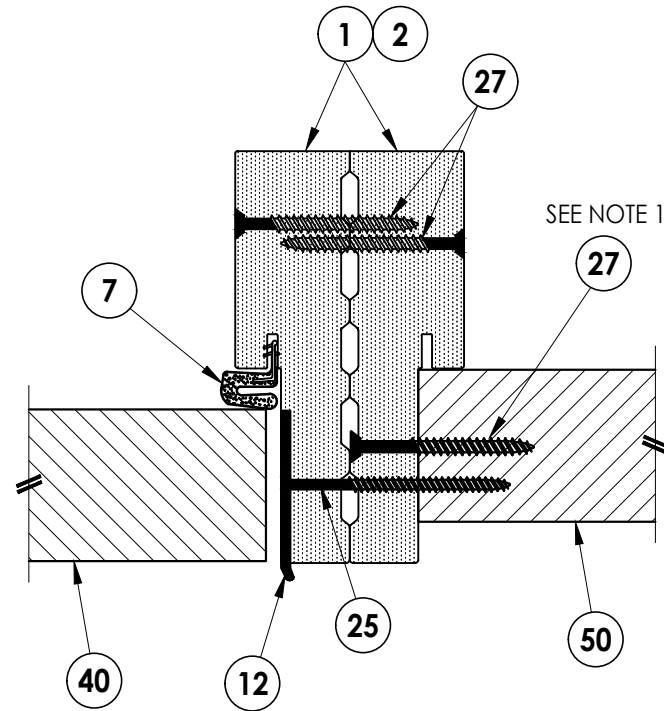
DATE: 2/15/24
SCALE: N.T.S.
DWG. BY: LFS
CHK. BY: RW
DRAWING NO.:
FL-46116.7
SHEET 4 OF 12



1 **HORIZONTAL CROSS SECTION**
5 Outswing Shown (Inswing Similar)

EXTERIOR

INTERIOR



2 **HORIZONTAL CROSS SECTION**
5 Outswing Shown (Inswing Similar)

Notes:

- Sidelite assembly screws located 6" from each end and 4 more screws equally spaced between (6 screws total per side jamb).

Documents Prepared By:
 Lyndon F. Schmidt
 P.E. No. 43409

RW BUILDING CONSULTANTS, INC.
 P.O. Box 230, Valrico, FL 33595
 Phone No.: 813.659.9197
 FBPE Registry No. 9813

PRODUCT: ODJ
 FIBERGLASS DOOR

PART OR ASSEMBLY:
 HORIZONTAL
 CROSS SECTIONS

NO.	DATE	BY	REVISIONS

DATE: 2/15/24

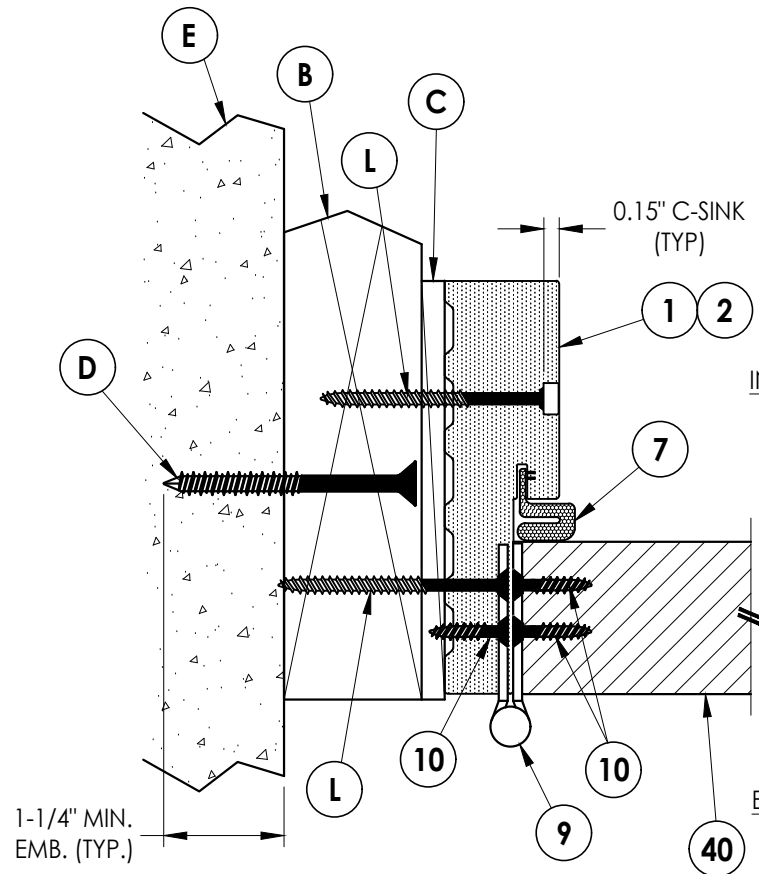
SCALE: N.T.S.

DWG. BY: LFS

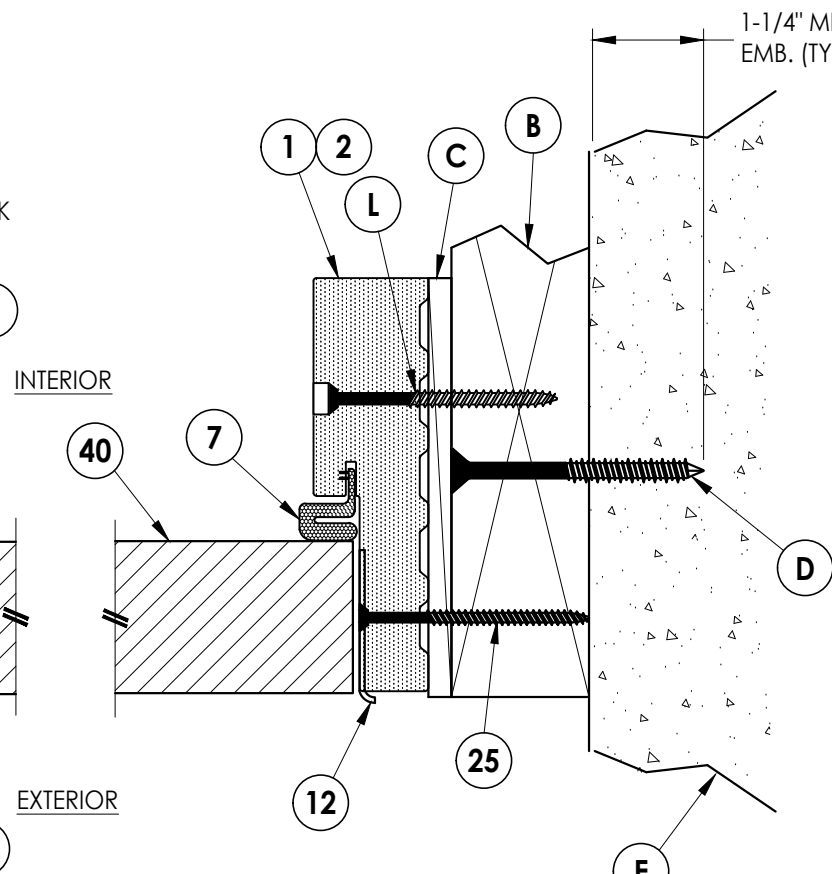
CHK. BY: RW

DRAWING NO.:
 FL-46116.7

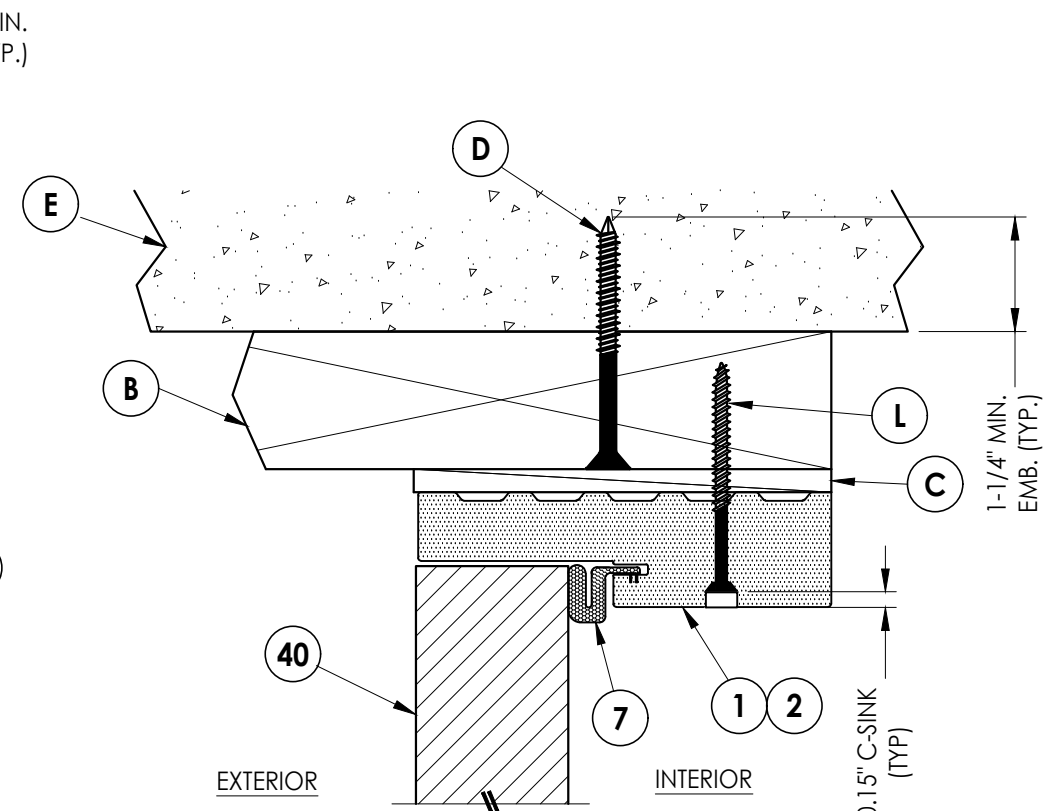
SHEET 5 OF 12



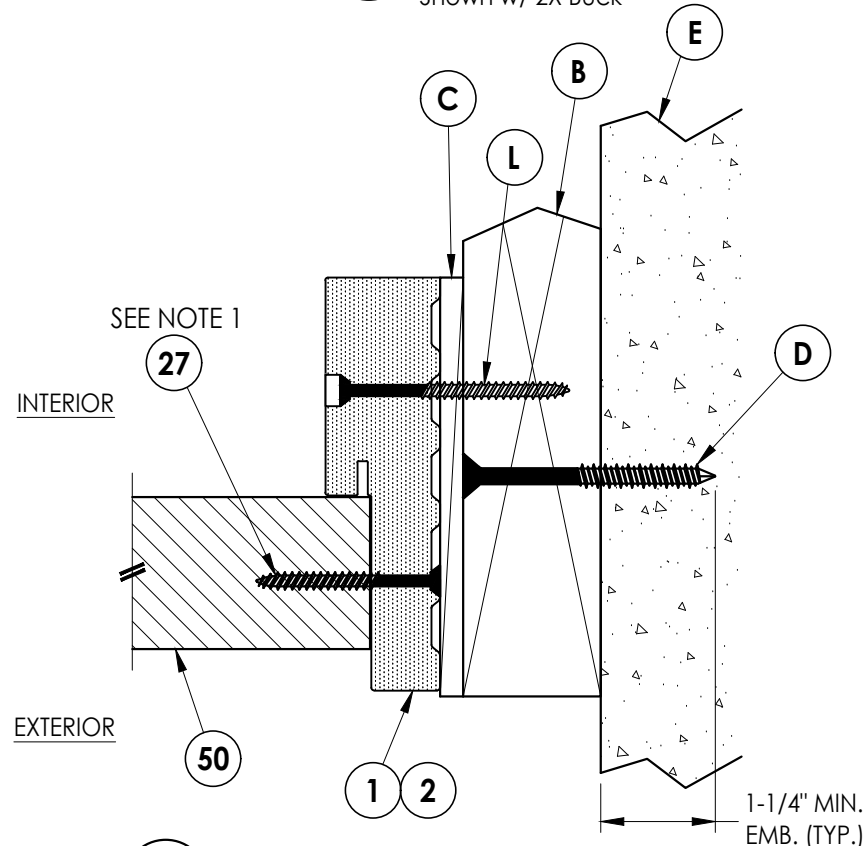
1 **HORIZONTAL CROSS SECTION**
6 Outswing Shown (Inswing Similar)
 Shown w/ 2X Buck



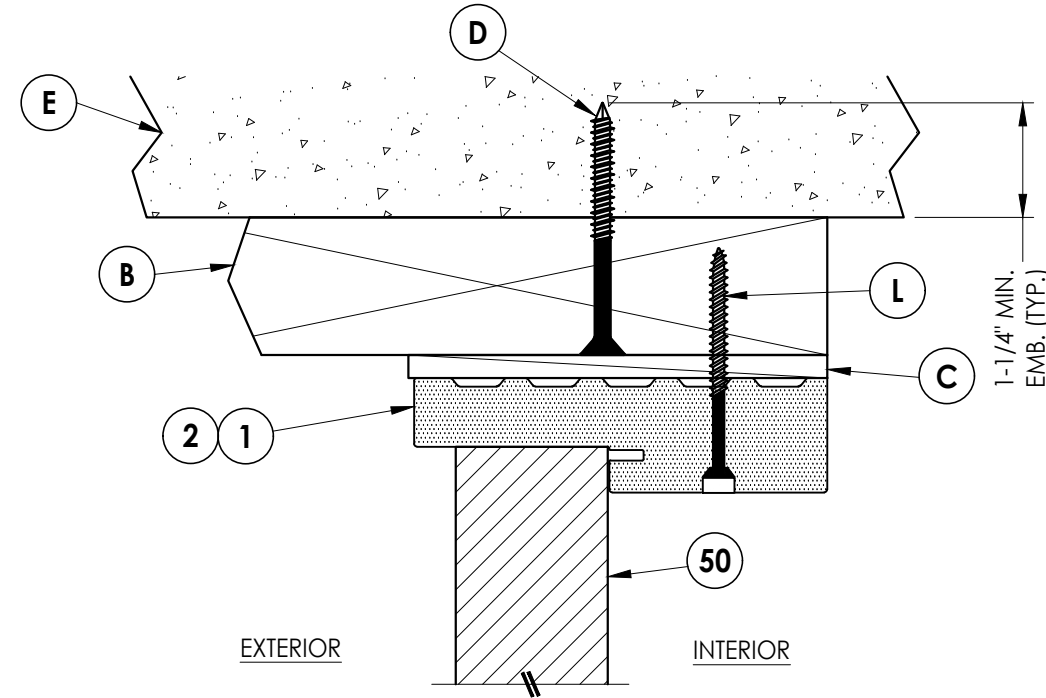
2 **HORIZONTAL CROSS SECTION**
6 Outswing Shown (Inswing Similar)
 Shown w/ 2X Buck



4 **VERTICAL CROSS SECTION**
6 Outswing Shown (Inswing Similar)
 Shown w/ 2X Buck



3 **HORIZONTAL CROSS SECTION**
6 Outswing Shown (Inswing Similar)
 Shown w/ 2X Buck



5 **VERTICAL CROSS SECTION**
6 Outswing Shown (Inswing Similar)
 Shown w/ 2X Buck

Note:
 1. Sidelite assembly screws located 6" from each end and 4 more screws equally spaced between (6 screws total per side jamb).

Documents Prepared By:
 Lyndon F. Schmidt
 P.E. No. 43409

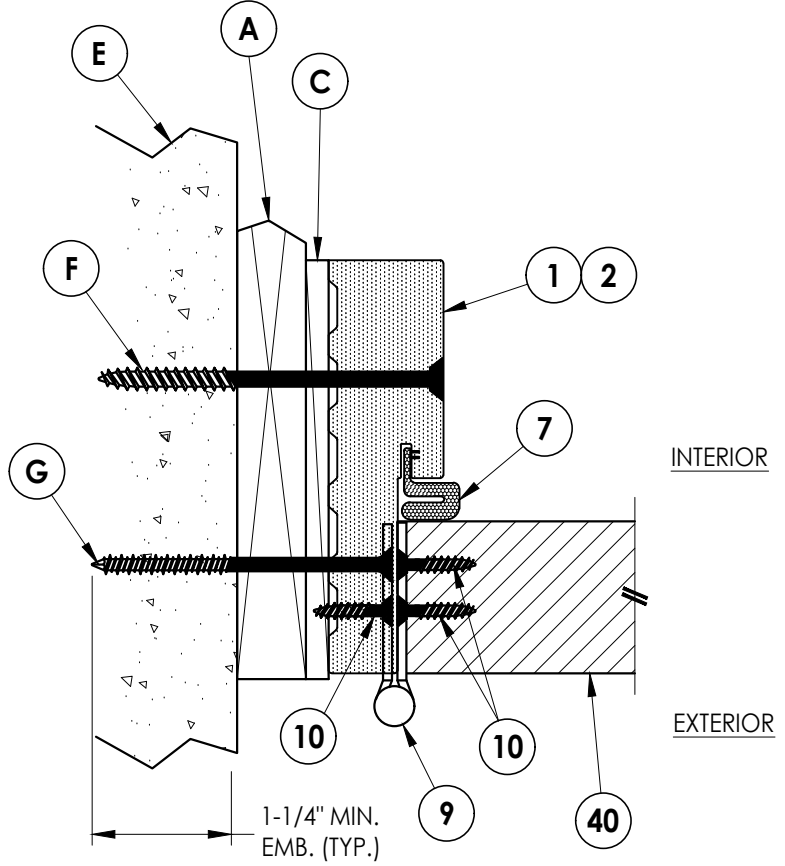
RW BUILDING CONSULTANTS, INC.
 P.O. Box 230, Valrico, FL 33595
 Phone No.: 813.659.9197
 FBPE Registry No. 9813

PRODUCT: ODL
 FIBERGLASS DOOR

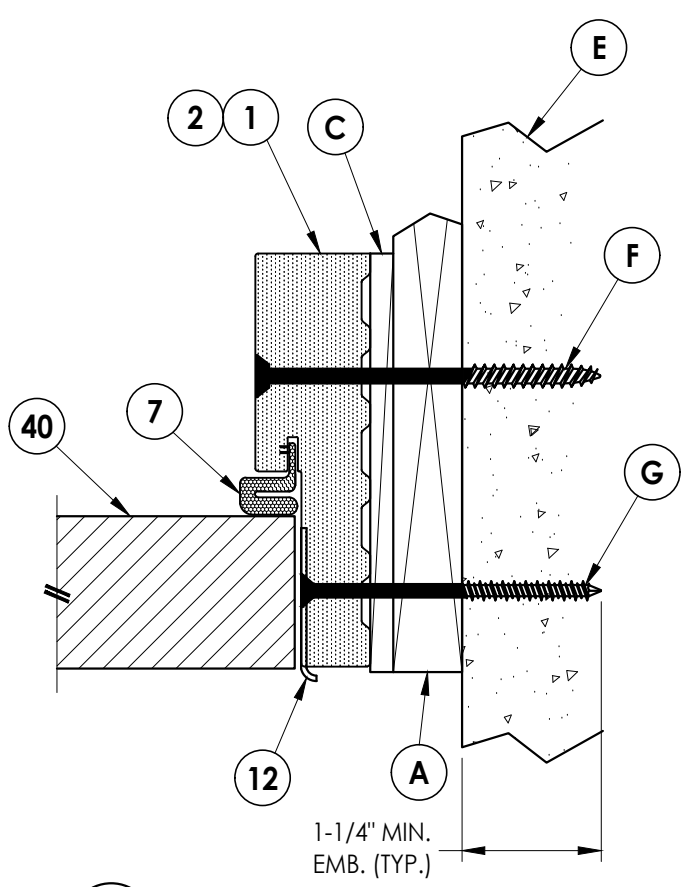
PART OR ASSEMBLY:
 HORIZONTAL & VERTICAL
 CROSS SECTIONS (2X BUCK)

NO.	DATE	BY	REVISIONS

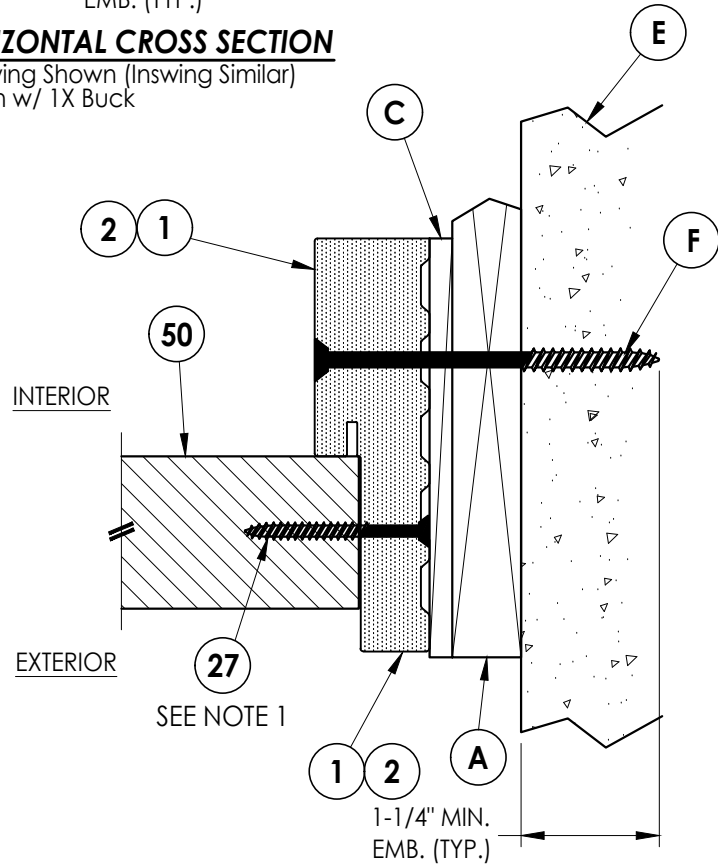
DATE: 2/15/24
 SCALE: N.T.S.
 DWG. BY: LFS
 CHK. BY: RW
 DRAWING NO.: FL-46116.7
 SHEET 6 OF 12



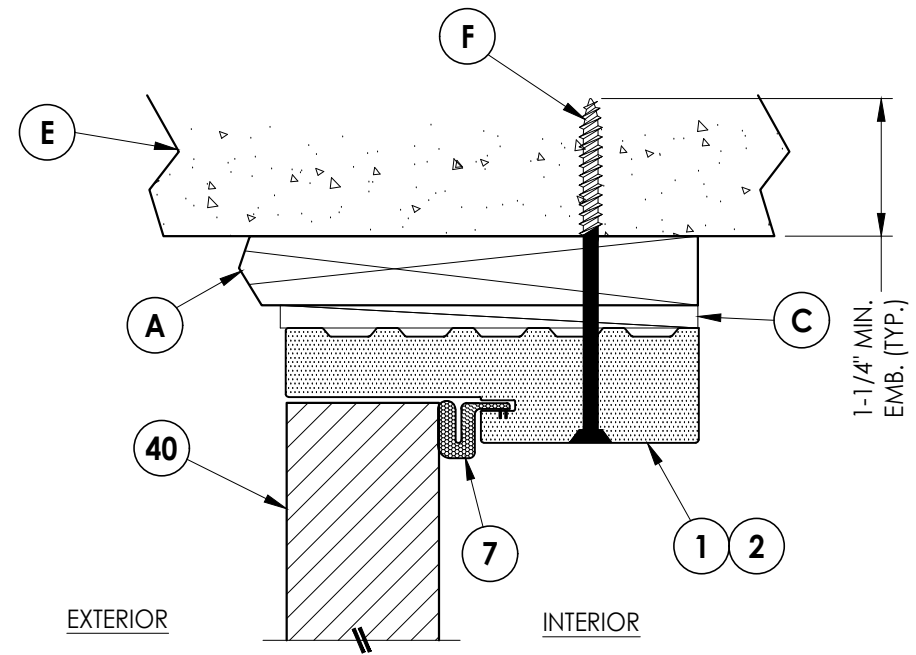
1 **HORIZONTAL CROSS SECTION**
7 Outswing Shown (Inswing Similar)
 Shown w/ 1X Buck



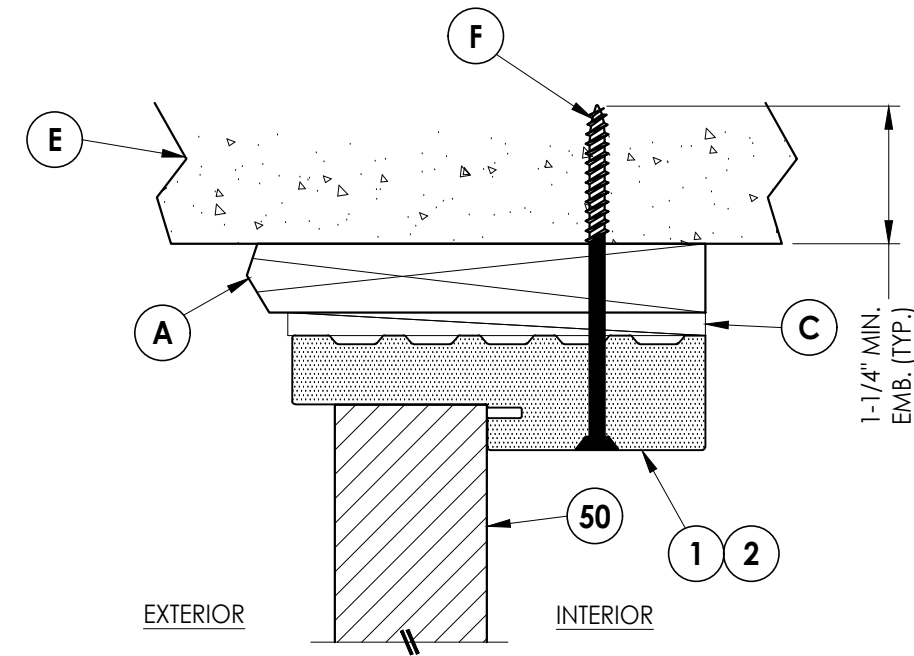
2 **HORIZONTAL CROSS SECTION**
7 Outswing Shown (Inswing Similar)
 Shown w/ 1X Buck



3 **HORIZONTAL CROSS SECTION**
7 Outswing Shown (Inswing Similar)
 Shown w/ 1X Buck



4 **VERTICAL CROSS SECTION**
7 Outswing Shown (Inswing Similar)
 Shown w/ 1X Buck



5 **VERTICAL CROSS SECTION**
7 Outswing Shown (Inswing Similar)
 Shown w/ 1X Buck

Note:
 1. Sidelite assembly screws located 6" from each end and 4 more screws equally spaced between (6 screws total per side jamb).

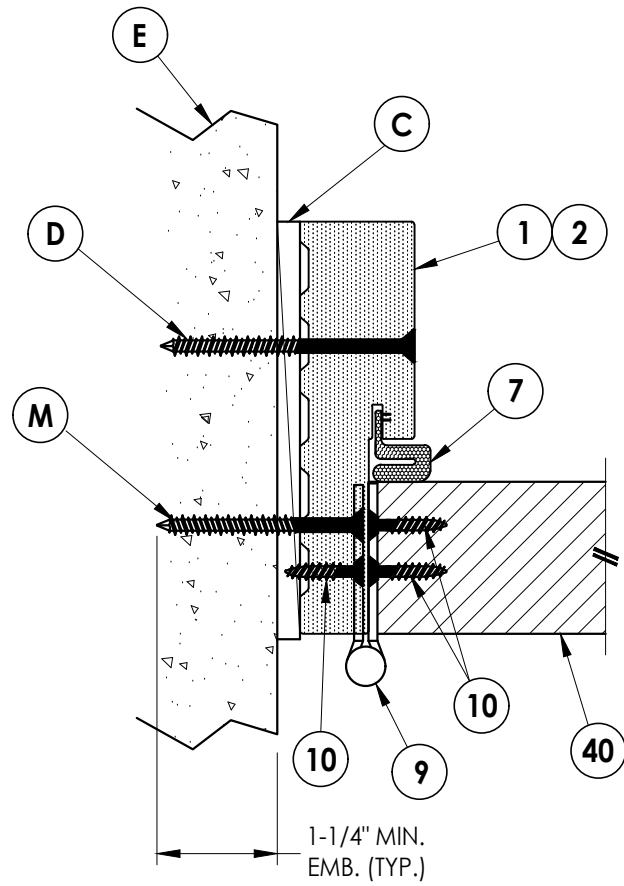
Documents Prepared By:
 Lyndon F. Schmidt
 P.E. No. 43409

RW BUILDING CONSULTANTS, INC.
 P.O. Box 230, Valrico, FL 33595
 Phone No.: 813.659.9197
 FBPE Registry No. 9813

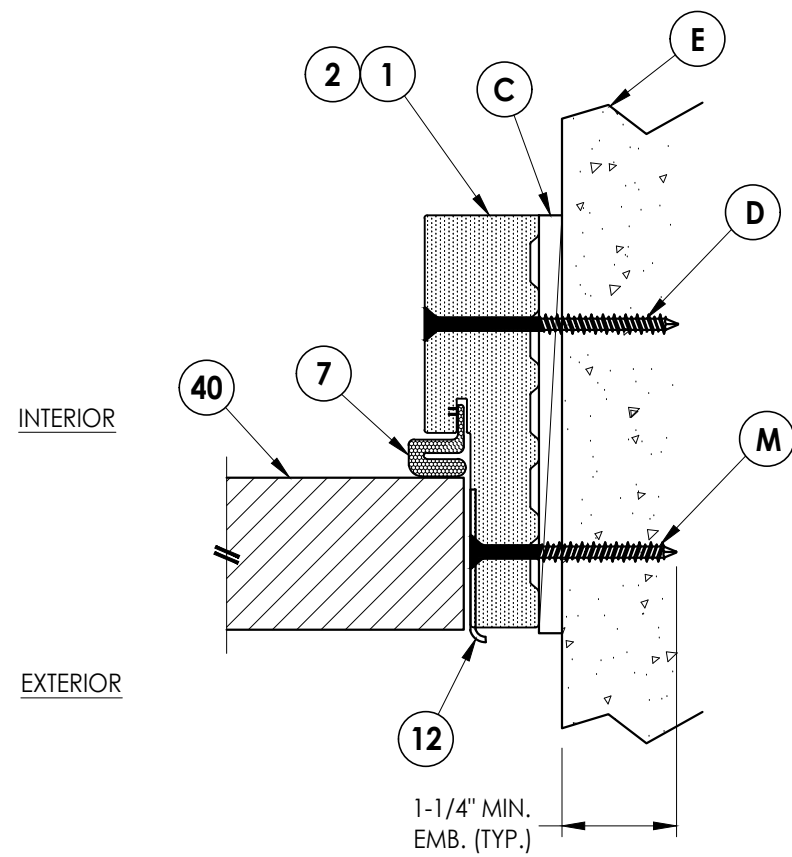
PRODUCT: OD L FIBERGLASS DOOR
 PART OR ASSEMBLY: HORIZONTAL & VERTICAL CROSS SECTIONS (1X BUCK)

NO.	DATE	BY	REVISIONS

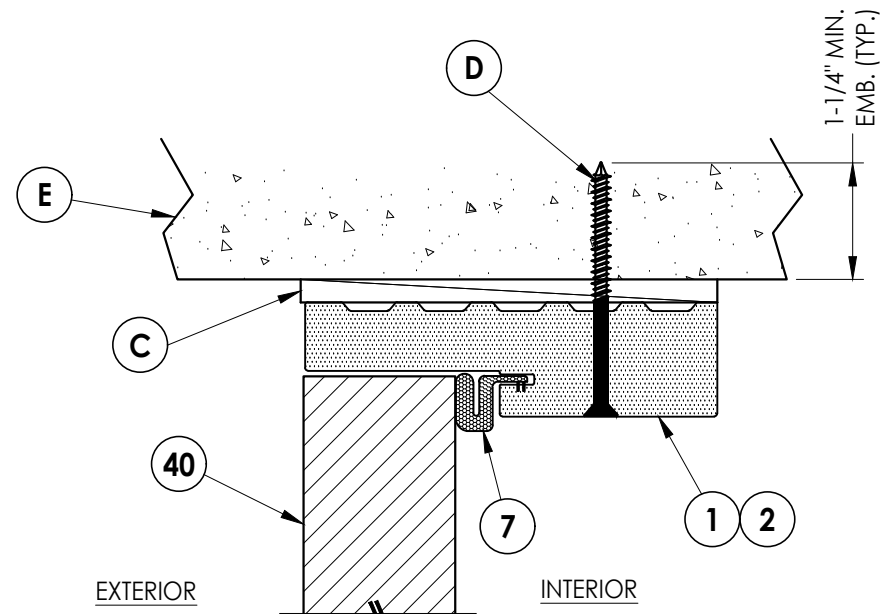
DATE: 2/15/24
 SCALE: N.T.S.
 DWG. BY: LFS
 CHK. BY: RW
 DRAWING NO.: FL-46116.7
 SHEET 7 OF 12



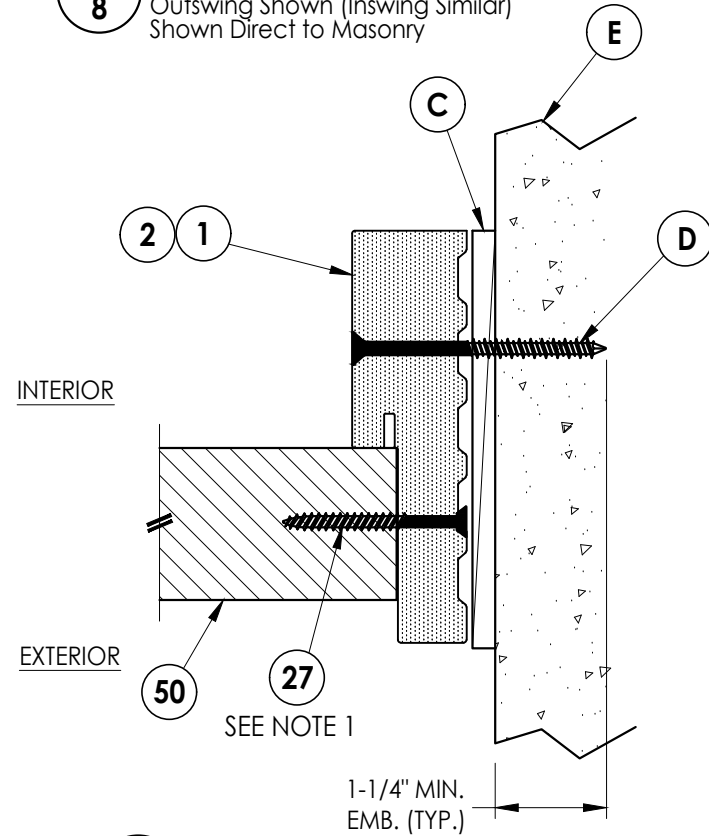
1 HORIZONTAL CROSS SECTION
8 Outswing Shown (Inswing Similar)
Shown Direct to Masonry



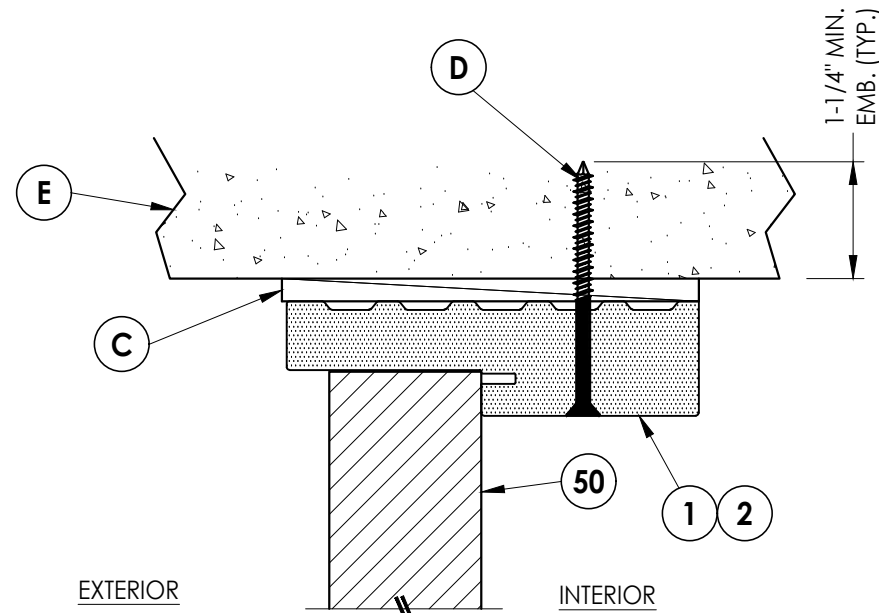
2 HORIZONTAL CROSS SECTION
8 Outswing Shown (Inswing Similar)
Shown Direct to Masonry



4 VERTICAL CROSS SECTION
8 Outswing Shown (Inswing Similar)
Shown Direct to Masonry



3 HORIZONTAL CROSS SECTION
8 Outswing Shown (Inswing Similar)
Shown Direct to Masonry



5 VERTICAL CROSS SECTION
8 Outswing Shown (Inswing Similar)
Shown Direct to Masonry

Note:

1. Sidelite assembly screws located 6" from each end and 4 more screws equally spaced between (6 screws total per side jamb).

Documents Prepared By:
Lyndon F. Schmidt
P.E. No. 43409

RW BUILDING CONSULTANTS, INC.
P.O. Box 230, Valrico, FL 33595
Phone No.: 813.659.9197
FBPE Registry No. 9813

PRODUCT: ODL
FIBERGLASS DOOR

PART OR ASSEMBLY:
HORIZONTAL & VERTICAL CROSS
SECTIONS (DIRECT TO MASONRY)

NO.	DATE	BY	REVISIONS

DATE: 2/15/24

SCALE: N.T.S.

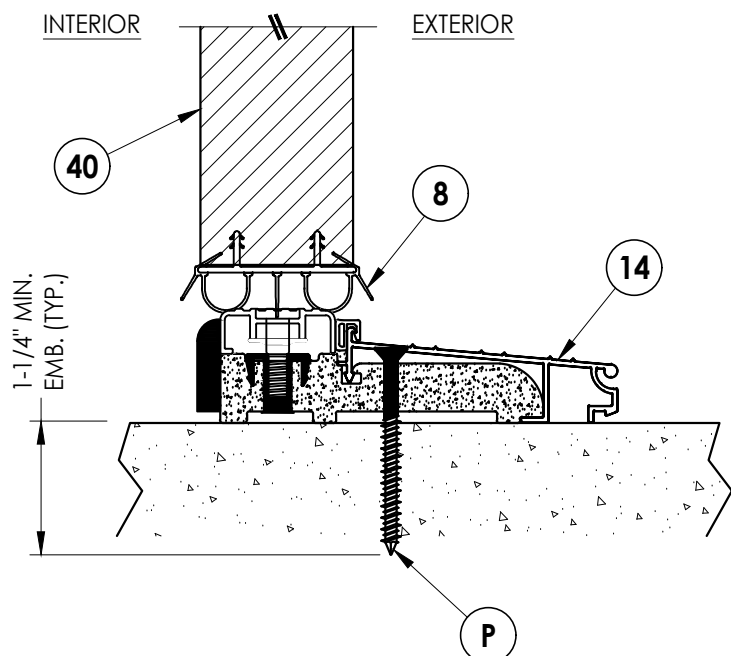
DWG. BY: LFS

CHK. BY: RW

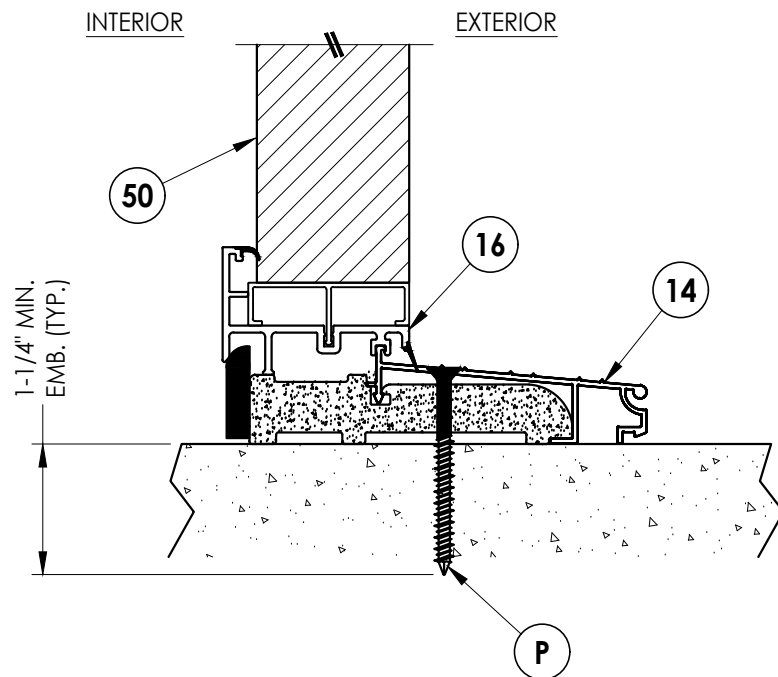
DRAWING NO.:
FL-46116.7

SHEET 8 OF 12

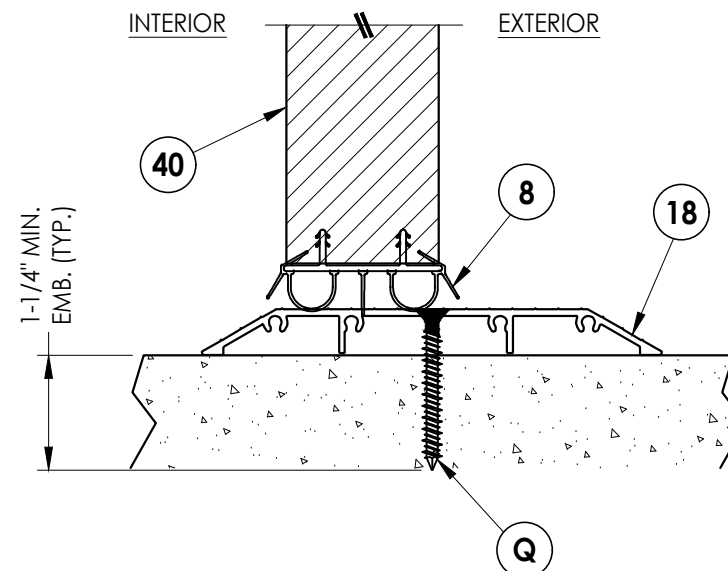
Z:\2023 FBC Drawings\ODL, Inc\FL-46116\FL-46116.7.dwg



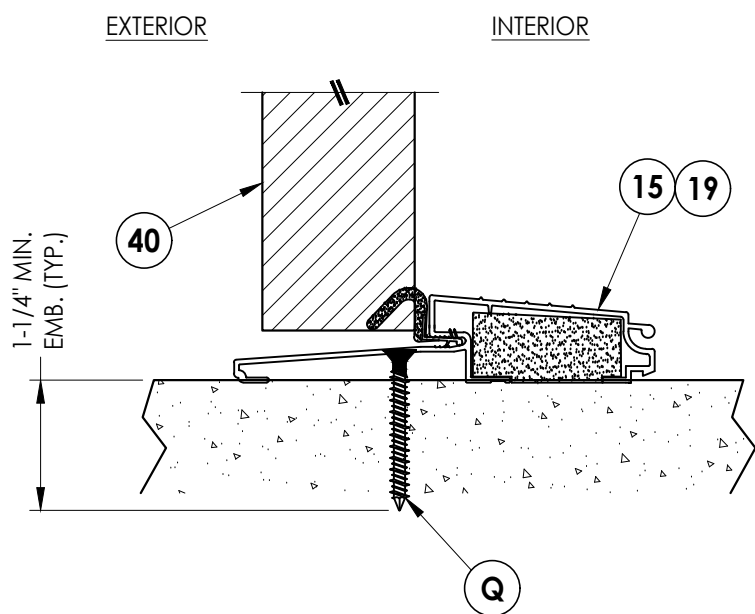
1 VERTICAL CROSS SECTION
9 Inswing Sill



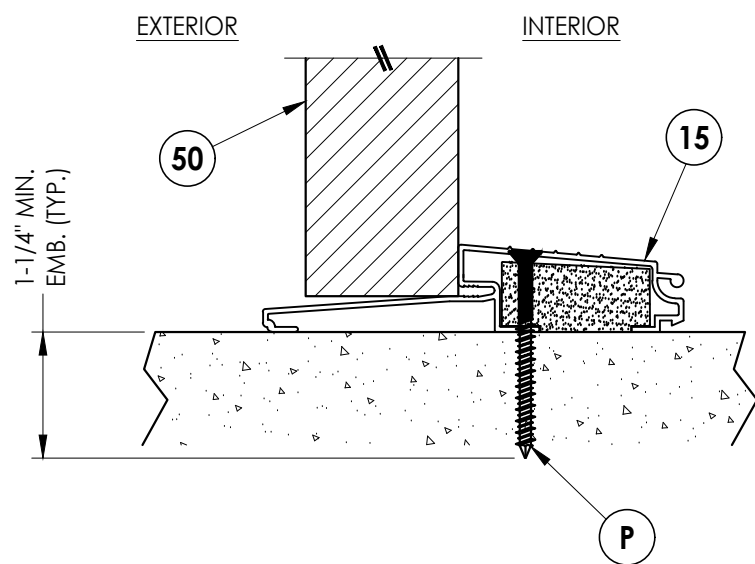
3 VERTICAL CROSS SECTION
9 Inswing Sill



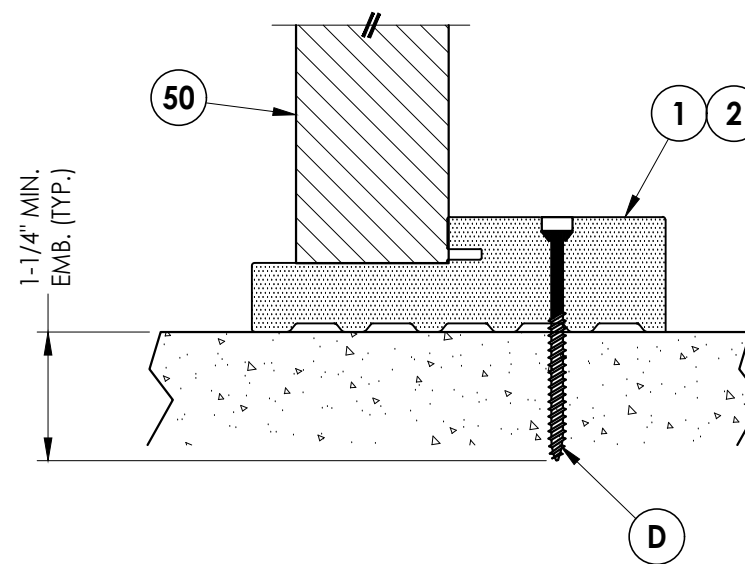
5 VERTICAL CROSS SECTION
9 ADA Sill



2 VERTICAL CROSS SECTION
9 Outswing Sill



4 VERTICAL CROSS SECTION
9 Outswing Sill



6 VERTICAL CROSS SECTION
9 Boxed Sidelite Sill

Documents Prepared By:
Lyndon F. Schmidt
P.E. No. 4-3409

RW BUILDING CONSULTANTS, INC.
P.O. Box 230, Valrico, FL 33595
Phone No.: 813.659.9197
FBPE Registry No. 9813

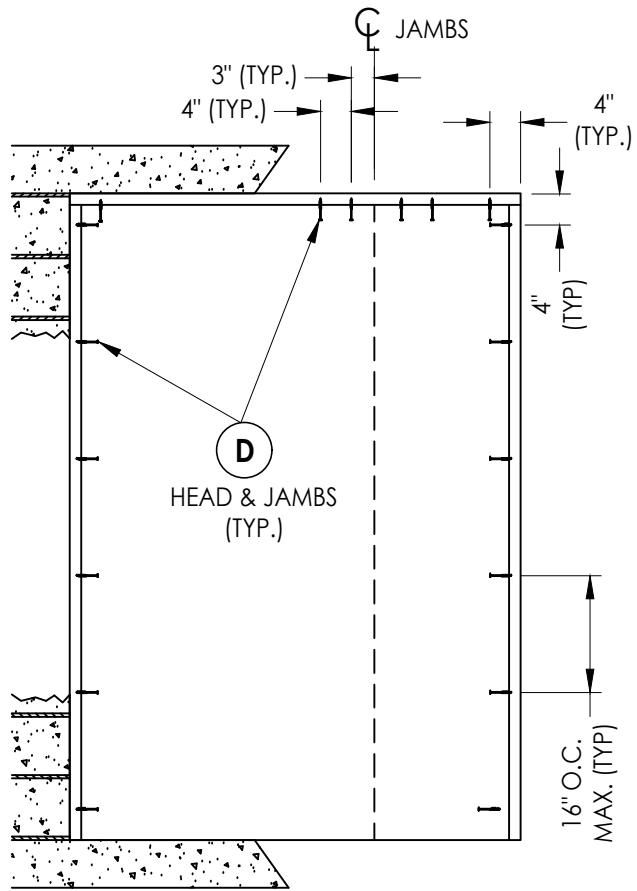
PRODUCT: ODL
FIBERGLASS DOOR

PART OR ASSEMBLY:
VERTICAL CROSS
SECTIONS (THRESHOLDS)

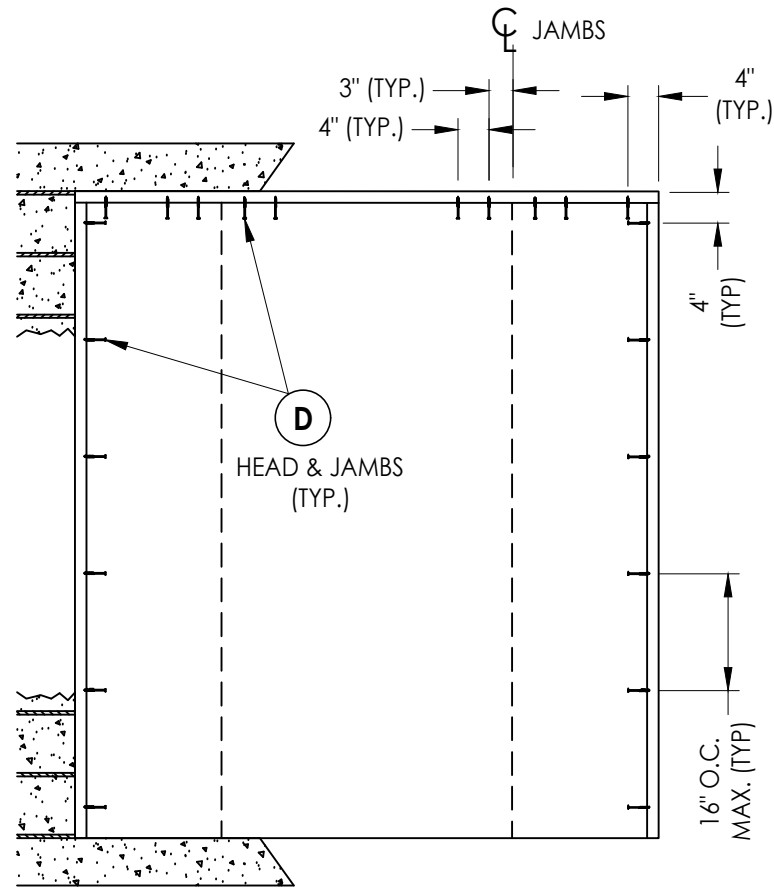
NO.	DATE	BY

REVISIONS

DATE: 2/15/24
SCALE: N.T.S.
DWG. BY: LFS
CHK. BY: RW
DRAWING NO.: FL-46116.7
SHEET 9 OF 12



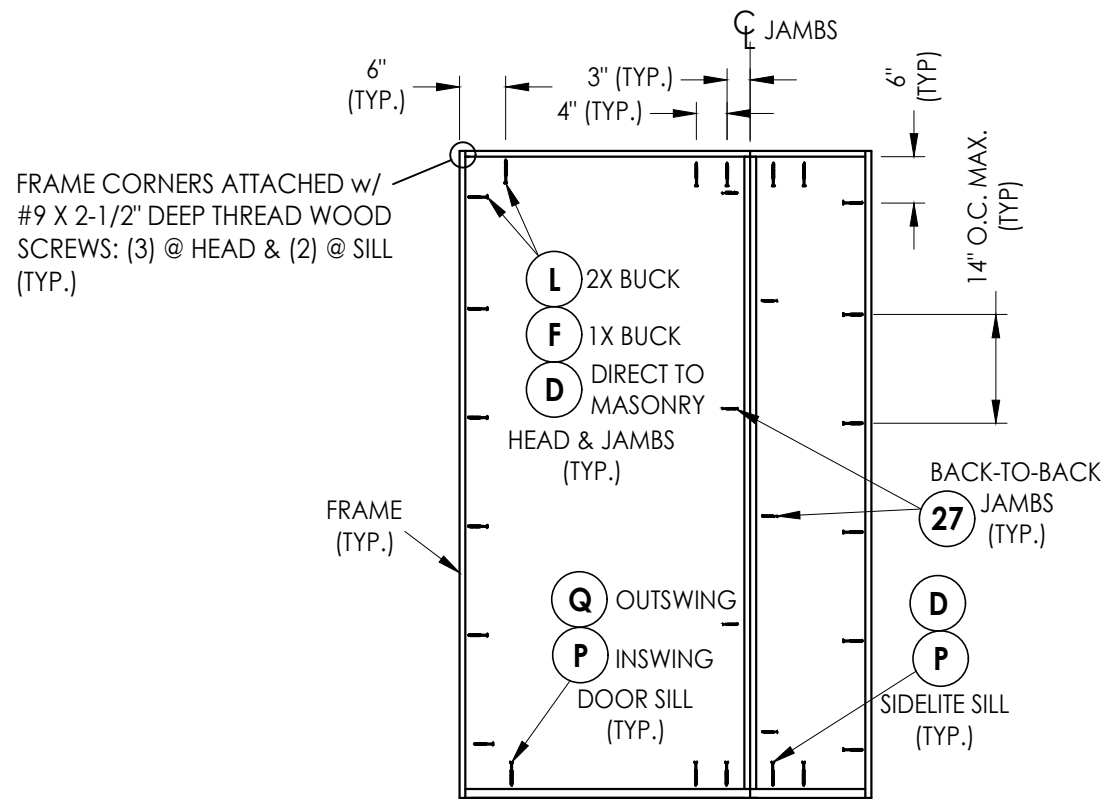
XO/OX



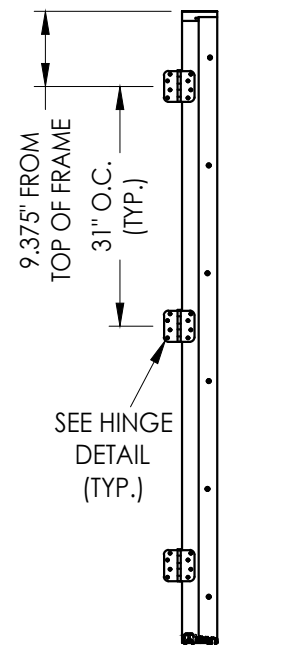
OXO

2X BUCK ANCHORING

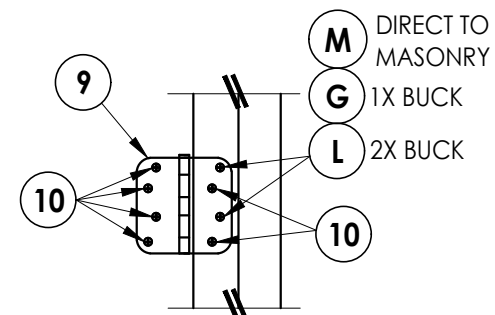
Documents Prepared By: Lyndon F. Schmidt P.E. No. 43409		BUILDING CONSULTANTS, INC. P.O. Box 230, Valrico, FL 33595 Phone No.: 813.659.9197 FBPE Registry No. 9813	
PRODUCT: ODJ FIBERGLASS DOOR		PART OR ASSEMBLY: BUCK ANCHORING	
NO. DATE		BY	
REVISIONS		REVISIONS	
DATE: 2/15/24			
SCALE: N.T.S.			
DWG. BY: LFS			
CHK. BY: RW			
DRAWING NO.: FL-46116.7			
SHEET 10 OF 12			



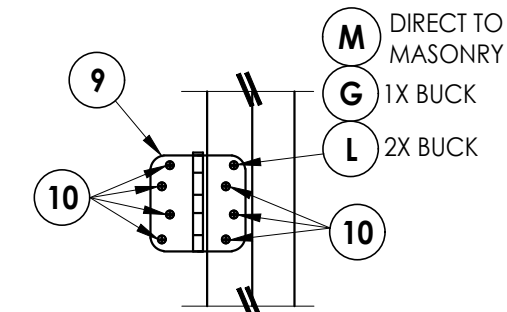
XO, OX



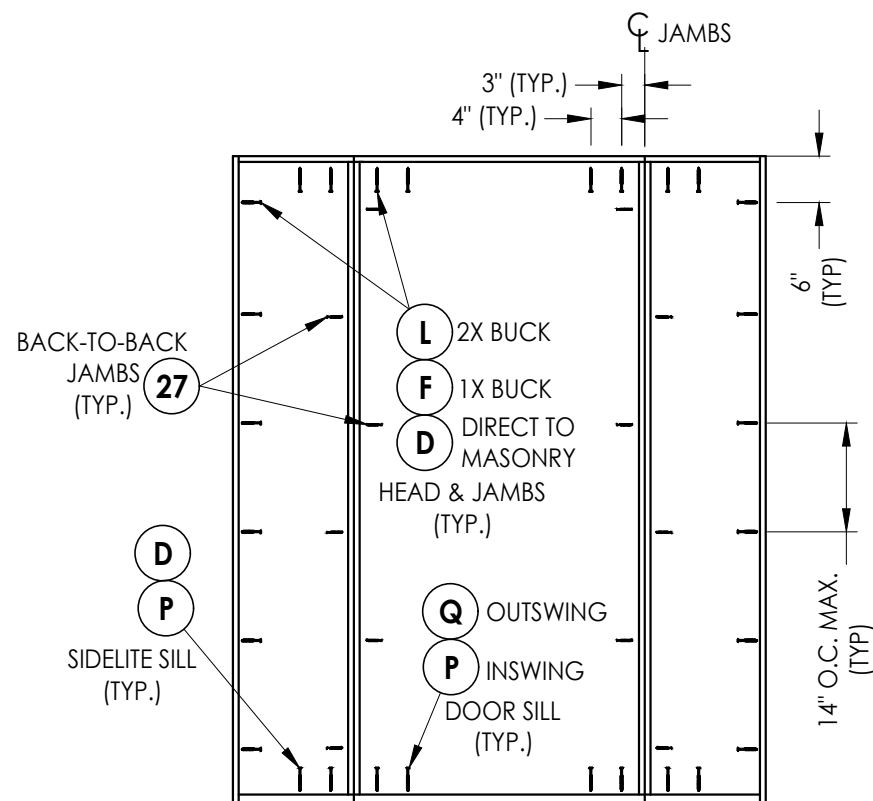
HINGE JAMB



**HINGE DETAIL
INSWING**

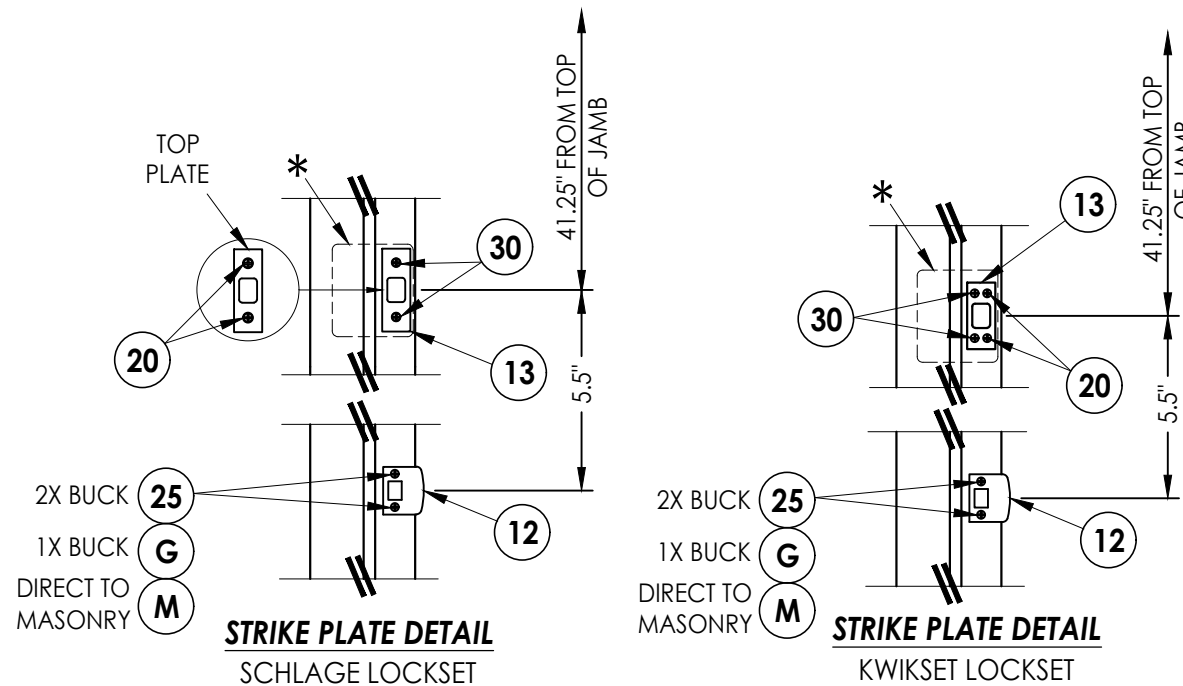


**HINGE DETAIL
OUTSWING**



OXO

FRAME ANCHORING



*4" X 4" 20 GA. STEEL PLATE ATTACHED TO BACK OF JAMB w/ (2) 3/8" T50 STAPLES

HARDWARE DETAILS

Documents Prepared By:
Lyndon F. Schmidt
P.E. No. 43409

RW BUILDING CONSULTANTS, INC.
P.O. Box 230, Valrico, FL 33595
Phone No.: 813.659.9197
FBPE Registry No. 9813

PRODUCT: OD L
FIBERGLASS DOOR

PART OR ASSEMBLY:
FRAME ANCHORING
& HARDWARE DETAILS

NO.	DATE	BY	REVISIONS

DATE: 2/15/24
SCALE: N.T.S.
DWG. BY: LFS
CHK. BY: RW
DRAWING NO.: FL-46116.7
SHEET 11 OF 12

